

HabaCHAIN[®] Snap-on 863T (Straight)

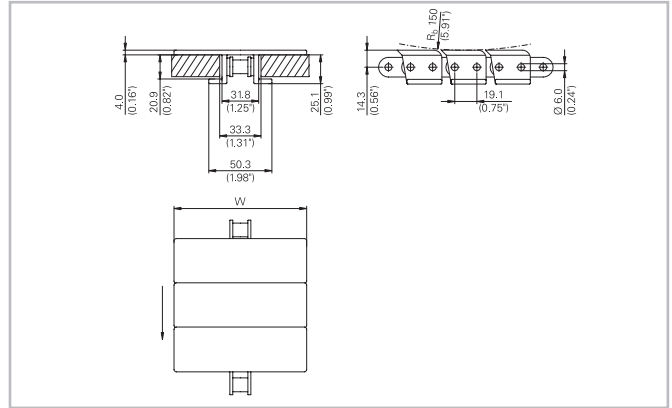


Your Source For Habasit
Belting And Chain

www.StilesEnterprises.com • 1-800-325-4232

Description

Snap-on 863T is a tabbed heavy duty straight running only snap-on chain. It is a two piece system that has a metallic 3/4" pitch 863 roller chain with snap-on plastic top plates. Applications include packaging and high load/speed applications.



Chain Data

| Habasit code | Width W | | Weight | | Nominal tensile strength F | | Material |
|----------------|---------|-------|--------|-------|----------------------------|------|----------|
| | mm | inch | kg/m | lb/ft | N | lbf | |
| C0863S0250DPTA | 63.5 | 2.50 | 2.10 | 1.41 | 5000 | 1125 | DP |
| C0863S0250LFTA | 63.5 | 2.50 | 2.10 | 1.41 | 5000 | 1125 | LF |
| C0863S0325DPTA | 82.6 | 3.25 | 2.19 | 1.47 | 5000 | 1125 | DP |
| C0863S0325LFTA | 82.6 | 3.25 | 2.19 | 1.47 | 5000 | 1125 | LF |
| C0863S0450DPTA | 114.3 | 4.50 | 2.37 | 1.59 | 5000 | 1125 | DP |
| C0863S0450LFTA | 114.3 | 4.50 | 2.37 | 1.59 | 5000 | 1125 | LF |
| C0863S0500DPTA | 127.0 | 5.00 | 2.41 | 1.62 | 5000 | 1125 | DP |
| C0863S0500LFTA | 127.0 | 5.00 | 2.41 | 1.62 | 5000 | 1125 | LF |
| C0863S0750DPTA | 190.5 | 7.50 | 2.71 | 1.82 | 5000 | 1125 | DP |
| C0863S0750LFTA | 190.5 | 7.50 | 2.71 | 1.82 | 5000 | 1125 | LF |
| C0863S1000DPTA | 254.0 | 10.00 | 3.17 | 2.13 | 5000 | 1125 | DP |
| C0863S1000LFTA | 254.0 | 10.00 | 3.17 | 2.13 | 5000 | 1125 | LF |

Base chain:

- Standard material is CS
- Stainless steel (suffix + SS) on request: Max. workload 3000 N (675 lbf)
- Nomenclature for base chain only:
-C0863B0075CS
-C0863B0075SS
- Standard packaging: 3.048 m = 10ft (including one connecting link)
- The weight specification is indicative
- Other top plate material available on request
- Driven by standard #60 series roller chain sprockets

For further information and availability please contact your local Habasit partner.